



CRYSTAL UNIT

SX-2520

Applications

- Mobile Communication / Bluetooth / Wireless LAN

Features

- Ultra thin / Dimensions (2.5 × 2.0 × 0.55)
- Ceramic SMD Package
- Vacuum Seam Sealed
- Tight Tolerance and Stability
- Reflow Soldering / Emboss Taping
- Compliant products with AEC-Q200

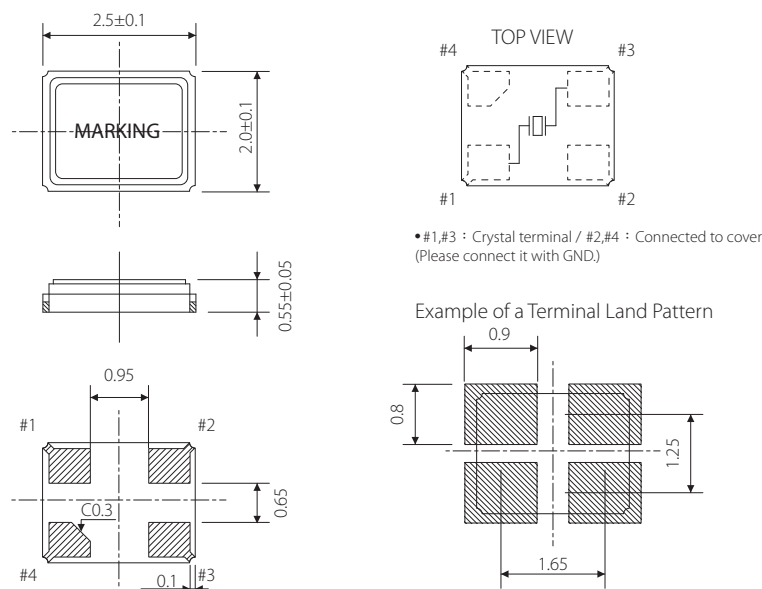
Specifications



Model	SX-2520	
Nominal frequency range	12.000~66.000 MHz	
Crystal cut	Fundamental [AT-cut]	
Storage temperature range	-40~+90°C; -40~+125°C (For AEC-Q200)	
Operating temperature range	-10~+60°C	-30~+85°C
Frequency temperature characteristics (Ref. to +25°C)	$\pm 10 \times 10^{-6}$	$\pm 15 \times 10^{-6}$
Frequency tolerance (at +25°C)	$\pm 10 \times 10^{-6}$	
Equivalent series resistance	200Ω: 12.000~12.999 MHz 40 : 35.000 66.000MHz 150Ω: 13.000~15.999 MHz 80Ω: 16.000~19.999 MHz 60Ω: 20.000~29.999 MHz 50Ω: 30.000~34.999 MHz	
Load capacitance	8pF, 12pF	
Shunt capacitance	5pF max.	
Level of drive	10 μW (100 μW max.)	

Package quantity: 3,000pcs max./Reel.
The product is suitable for Car multimedia, Car accessory application.

Outline and Dimensions [unit:mm]



Maximum marking length		Marking
line1	line2	
4	4	Laser
ex.)		40 . 0 S G A